



Turbine Vibrators

- ◆ Durable - All Models are Rated for Continuous Duty
- ◆ Selection - 12 Models to Choose From
- ◆ Efficient - Use Less Air Than Other Pneumatic Rotary Vibrators
- ◆ Adjustable - Force and Frequency Can Be Changed by Altering the Air Pressure
- ◆ Effective - Works Well on Fine, Powdery Materials or for Concrete Consolidation



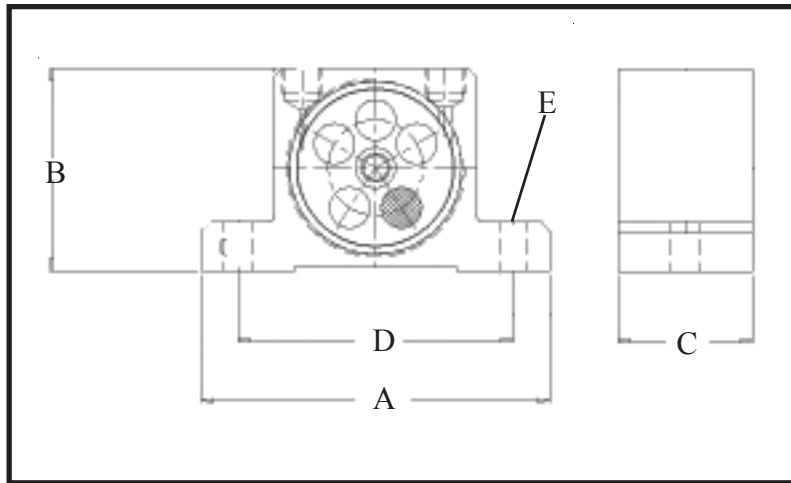
- ◆ Versatile - Can Be Mounted in Any Position and Operate on as Little as 20 PSI
- ◆ Clean - No Oily Mist or Flaking Paint

Denver Concrete Vibrator 1463 W. Alameda Ave. Denver, CO 80223 USA

Toll Free: 800.392.6703 Tel: 303.778.8832 Fax: 303.778.8682

Web Site: www.denverconcretevibrator.com Email: info@denverconcretevibrator.com

Performance Data		AIR PRESSURE								
		30 PSI			60 PSI			90 PSI		
VIBRATOR MODEL	Unbalance	Speed	Flow	Force	Speed	Flow	Force	Speed	Flow	Force
	LB-IN	RPM	CFM	LBS	RPM	CFM	LBS	RPM	CFM	LBS
DOT 8	0.007	34,000	1.6	242	38,000	2.9	451	42,000	3.9	641
DOT 10	0.012	26,000	1.6	231	33,000	2.9	377	38,000	3.9	554
DOT 10S	0.019	17,200	1.6	159	23,400	2.9	323	26,000	3.9	410
DOT 13	0.026	24,500	4.3	444	28,500	7.2	579	31,000	10.1	659
DOT 16	0.046	18,000	4.3	427	20,000	7.2	527	21,000	10.1	581
DOT 16S	0.076	11,500	4.3	285	15,000	7.2	431	17,500	10.1	516
DOT 20	0.092	14,500	6.5	552	19,000	11.2	888	23,000	16	1157
DOT 25	0.109	13,200	6.5	537	15,500	11.2	740	17,000	16	1117
DOT 25S	0.205	9,000	6.5	471	11,000	11.2	738	13,500	16	1063
DOT 30	0.224	11,000	11.4	771	12,500	19.1	1586	14,500	26.5	1718
DOT 36	0.366	8,500	11.4	751	11,500	19.1	1536	12,000	26.5	1648
DOT 36S	0.873	6,000	11.4	893	7,000	19.1	1554	8,500	26.5	1660



Ideal For:

- Small Bins and Hoppers Containing Dry, Powdery Materials or Residual Cleanout
- Clean Environments Such as the Food, Chemical and Pharmaceutical Industries
- Small Shaker Tables for Concrete Molds
- Larger Concrete Form Applications Where a Smooth Finish is Needed
- Facilities Where the Air Supply is Limited

Dimensions		A	B	C	D	E	Inlet/Exhaust
Model	Weight	Length	Height	Width	Bolt Centers	Bolt Hole	Port
DOT 8	0.55 lbs	3.4"	2"	1.3"	2.68"	.28"	1/8"
DOT 10	0.56 lbs	3.4"	2"	1.3"	2.68"	.28"	1/8"
DOT 10S	0.58 lbs	3.4"	2"	1.3"	2.68"	.28"	1/8"
DOT 13	1.24 lbs	4.5"	2.6"	1.7"	3.54"	.35"	1/4"
DOT 16	1.28 lbs	4.5"	2.6"	1.7"	3.54"	.35"	1/4"
DOT 16S	1.35 lbs	4.5"	2.6"	1.7"	3.54"	.35"	1/4"
DOT 20	2.4 lbs	5"	3.2"	2.2"	4.09"	.35"	1/4"
DOT 25	2.46 lbs	5"	3.2"	2.2"	4.09"	.35"	1/4"
DOT 25S	2.64 lbs	5"	3.2"	2.2"	4.09"	.35"	1/4"
DOT 30	4.84 lbs	6.3"	4"	2.9"	5.12"	.43"	3/8"
DOT 36	5.06 lbs	6.3"	4"	2.9"	5.12"	.43"	3/8"
DOT 36S	5.57 lbs	6.3"	4"	2.9"	5.12"	.43"	3/8"