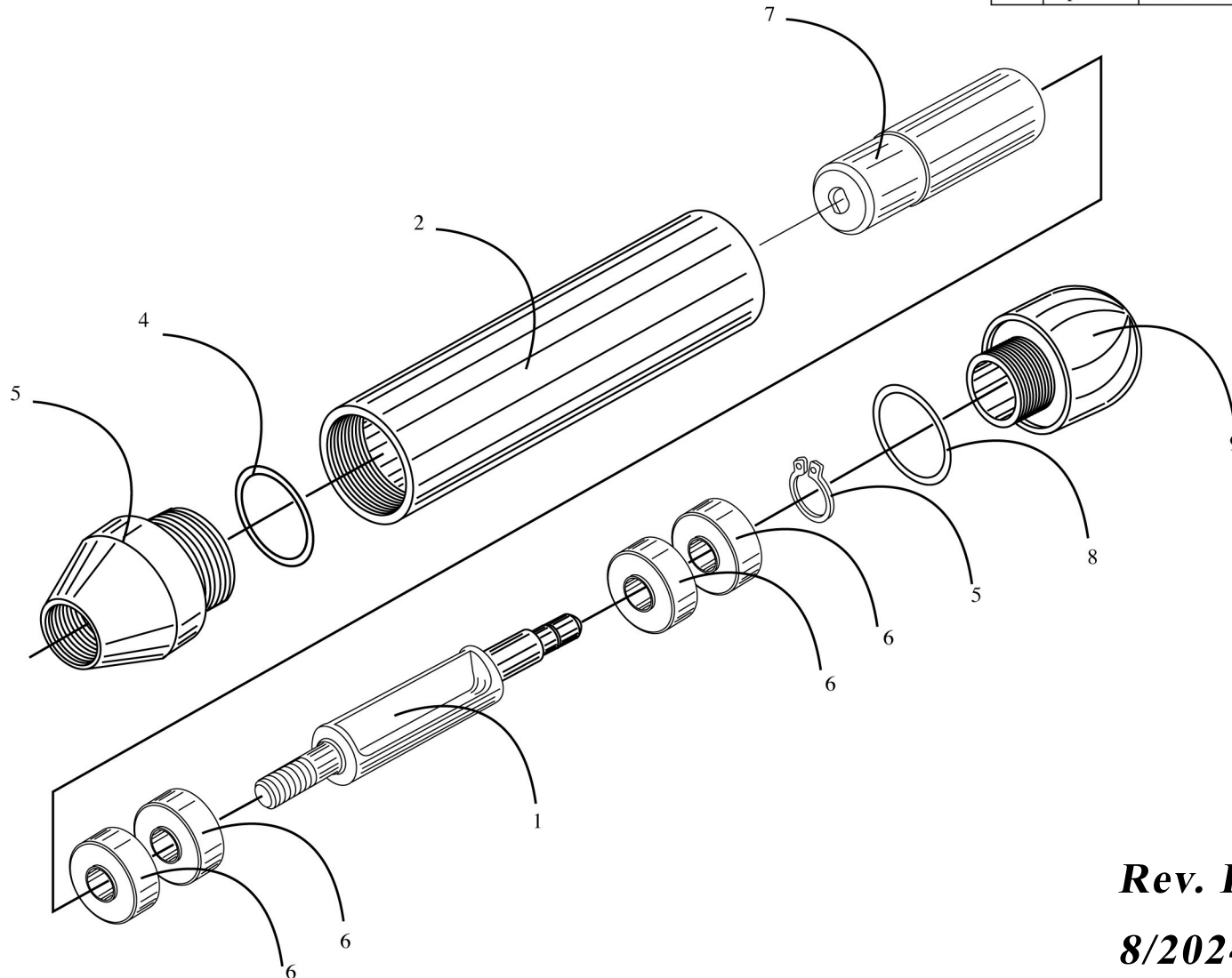




Model: D3.0 3" X 12"  
 FLEXIBLE SHAFT VIBRATOR HEAD

ITEM No.	Reg.#	Part No.	Description
1	1	D3.0-1	Eccentric
2	1	H352	Barrel
3	1	D3.0-4	Connector
4	1	R5117	O Ring- Connector
5	1	SN-5p402	Snap Ring
6	4	BR127	Bearings
7	1	D1.75-4	Driver
8	1	RS101	O Ring - Nose
9	1	H325	Steel Nose
	Optional	H325-R	Rubber NoseRH



**Rev. F**  
**8/2024**