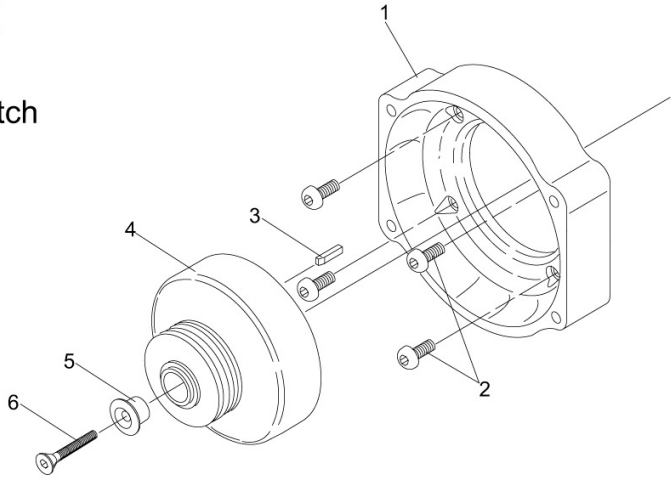
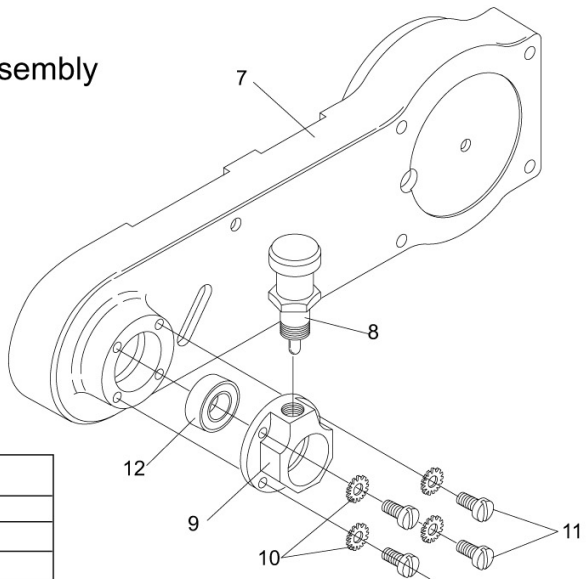


Centrifugal Clutch

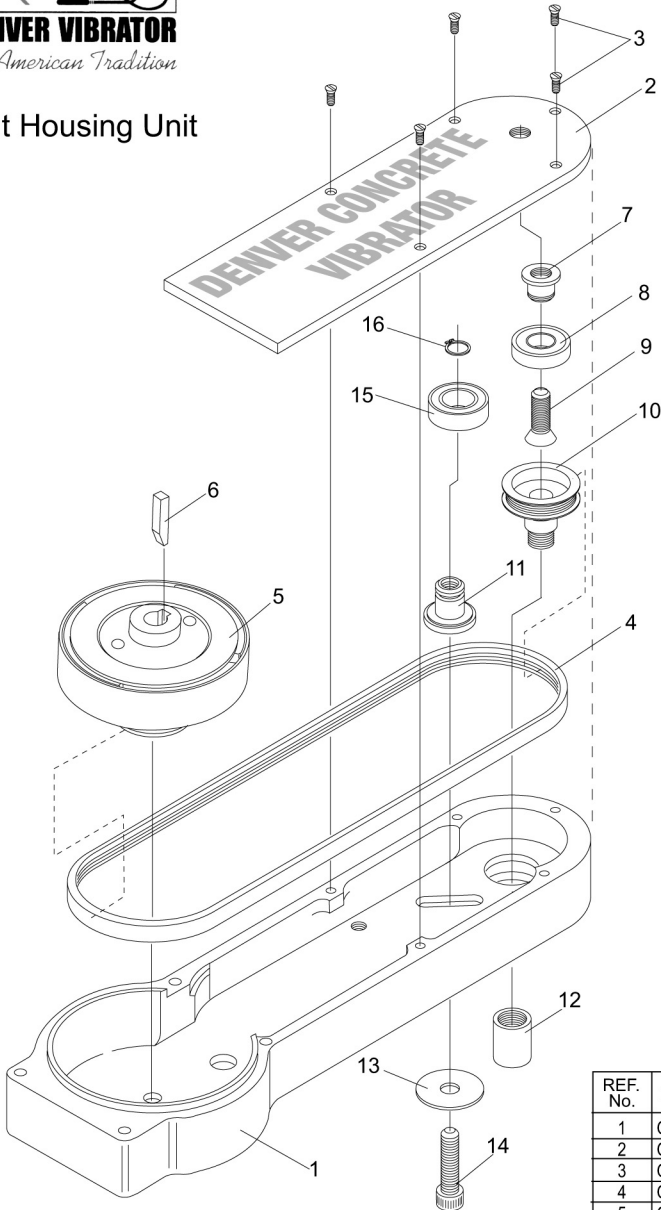


Quick Disconnect Assembly



REF. No.	Part No.	Description
1	GBP0011	Clutch Housing
2	GBP0307	Screw
3	GBP0012	Alignment Key
4	GBP0013	Centrifugal Clutch Assem. V2
5	GBP0333	Bushing
6	11053920	Flat Head Socket Screw
7	GBP0054	Drive, Housing
8	FSQR-1	Plunger, Indexing
9	GBP0044	Reciever, QR
10	25623400	Washer, Star
11	12143408	Screw, pan Head
12	BR129	Bearing

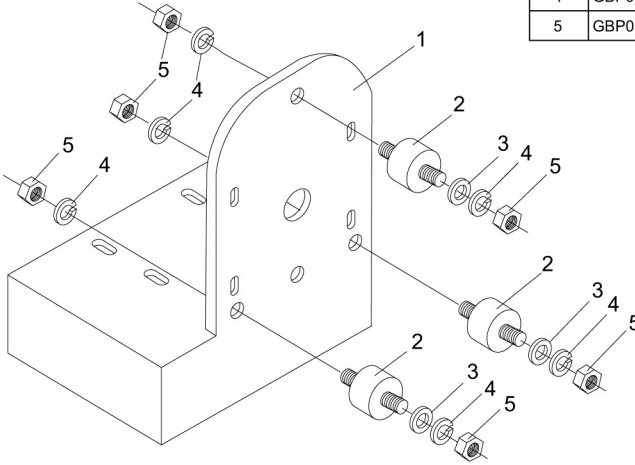
Belt Housing Unit



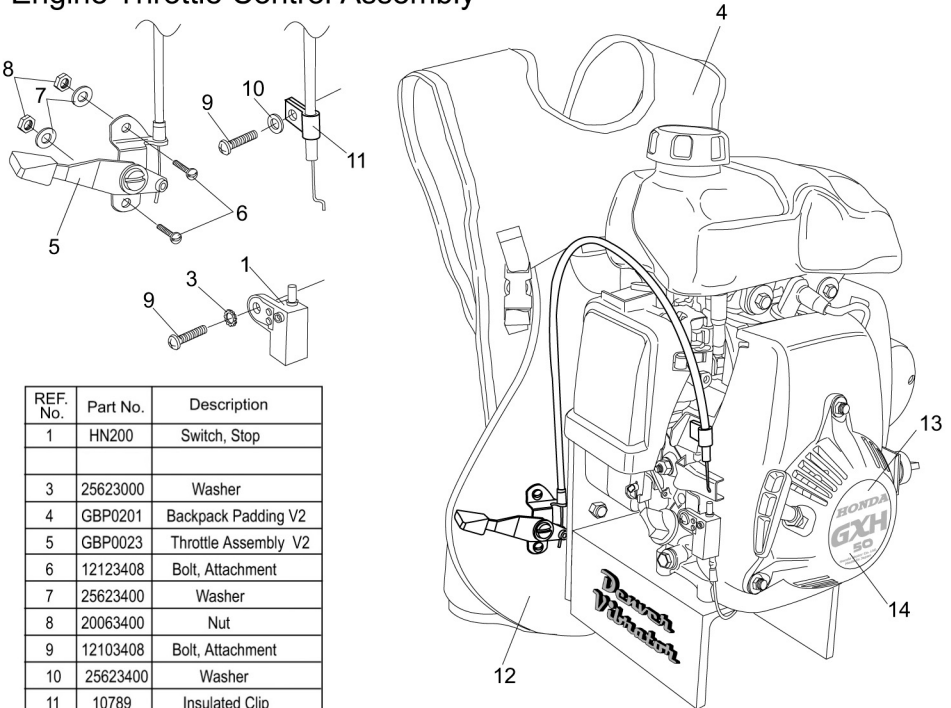
REF. No.	Part No.	Description
1	GBP0054	Drive Housing
2	GBP0056	Housing Cover
3	GBP0301	Screw, Cover
4	GBP0030	Belt Micro Drive
5	GBP0013	Cluth Assembly, V2
6	GBP0320	Alignment Key
7	GBP0040	Stud, Driven Pulley
8	BR120	Bearing
9	GBP0302	Screw, Modified
10	GBP0042	Pulley, Driven
11	GBP0016	Stud, Idler Bearing
12	D1.5-4	Driver
13	25004000	Washer
14	11054116	Bolt
15	BR120	Bearing
16	GBP0304	Snap Ring

Rubber Mounts & Engine Platform

REF. No.	Part No.	Description
1	GBP0060	Base Assembly
2	GBP0062	Isolators
3	GBP0311	5/16" , F ,Washer
4	GBP0310	5/16" , Washer, Split
5	GBP0318	5/16" , Nut

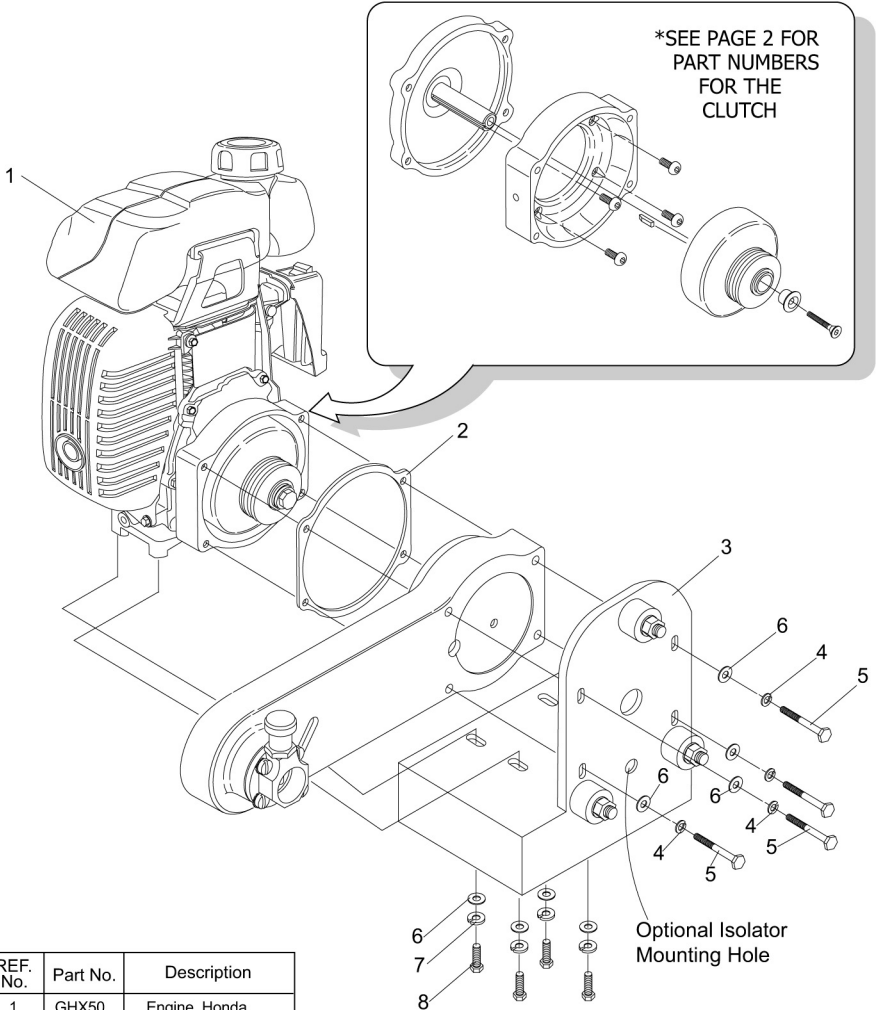


Engine Throttle Control Assembly



REF. No.	Part No.	Description
1	HN200	Switch, Stop
3	25623000	Washer
4	GBP0201	Backpack Padding V2
5	GBP0023	Throttle Assembly V2
6	12123408	Bolt, Attachment
7	25623400	Washer
8	20063400	Nut
9	12103408	Bolt, Attachment
10	25623400	Washer
11	10789	Insulated Clip
12	GBP0101	Backpack Frame V2
13	GBP0017	Recoil Assebmly Modified
14	GBP0017-2	Recoil Cover - Modified

Belt Housing & Base Mounting



REF. No.	Part No.	Description
1	GHX50	Engine, Honda
2	GBP0018	Gasket, Temp. Isolator
3	GBP0060	Base Assembly
4	GBP0312	Washer, Split
5	GBP0313	Bolt, Hex Head
6	GBP0314	Washer, Flat
7	GBP0319	Washer, Split
8	GBP0316	Bolt, Hex Head