



DAS Ball Vibrators

- ◆ Durable - All Models are Rated for Continuous Duty
- ◆ Selection - 8 Models to Choose From
- ◆ Efficient - Use Less Air Than Other Pneumatic Rotary Vibrators
- ◆ Adjustable - Force and Frequency Can Be Changed by Altering the Air Pressure
- ◆ Effective - Works Well on Fine, Powdery Materials or for Concrete Consolidation
- ◆ Versatile - Can Be Mounted in Any Position and Operate on as Little as 20 PSI
- ◆ Clean - No Oily Mist or Flaking Paint

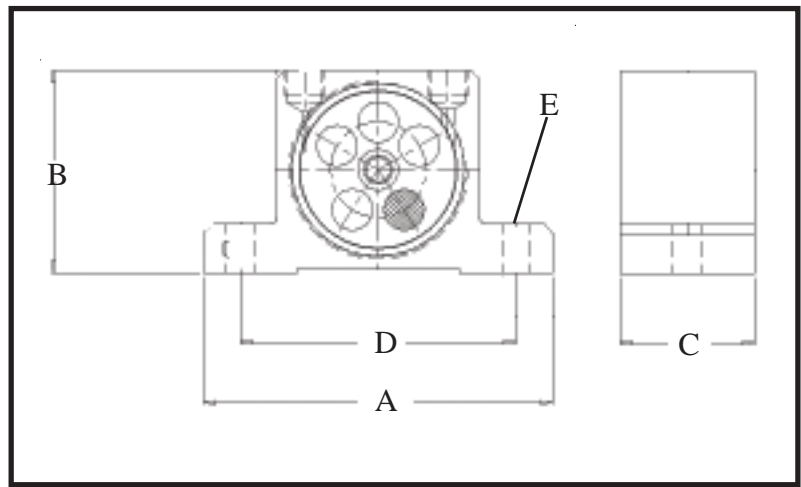


Denver Concrete Vibrator P.O. Box 27790 Denver, CO 80227-0790 USA
Toll Free: 800.392.6703 Tel: 303.778.8832 Fax: 303.778.8682
Web Site: www.denverconcretevibrator.com Email: info@denverconcretevibrator.com

Performance Data		AIR PRESSURE								
		30 PSI			60 PSI			90 PSI		
VIBRATOR MODEL	Unbalance LB-IN	Speed RPM	Flow CFM	Force LBS	Speed RPM	Flow CFM	Force LBS	Speed RPM	Flow CFM	Force LBS
DAS 8	0.002	25,500	2.9	29	31,000	5.1	43	35,000	6.9	55
DAS 10	0.004	22,500	3.2	55	28,000	5.3	85	34,000	7.4	126
DAS 13	0.011	15,000	3.3	70	18,500	5.6	106	22,500	7.9	158
DAS 16	0.021	13,000	4.3	99	17,000	7.1	169	19,500	9.9	223
DAS 20	0.050	10,500	4.6	158	14,500	8.1	301	16,500	12	390
DAS 25	0.085	9,200	5.7	205	12,200	10.2	360	14,000	15	475
DAS 30	0.192	7,800	7.6	332	9,700	13.2	513	12,500	20.1	853
DAS 36	0.299	7,300	9.2	453	9,000	16.8	689	10,000	23.8	850



All Aluminum Body



- Ideal For:**
- Small Bins and Hoppers Containing Dry, Powdery Materials or Residual Cleanout
 - Clean Environments Such as the Food, Chemical and Pharmaceutical Industries
 - Small Shaker Tables for Concrete Molds
 - Small Concrete Form Applications Where a Smooth Finish is Needed
 - Facilities Where the Air Supply is Limited

Dimensions		A	B	C	D	E	Inlet/Exhaust Port
Model	Weight	Length	Height	Width	Bolt Centers	Bolt Hole	
DAS 8	0.29 lbs	3.4"	2"	1.6"	2.68"	.28"	1/4"
DAS 10	0.29 lbs	3.4"	2"	1.6"	2.68"	.28"	1/4"
DAS 13	0.57 lbs	4.5"	2.6"	2"	3.54"	.35"	1/4"
DAS 16	0.66 lbs	4.5"	2.6"	2"	3.54"	.35"	1/4"
DAS 20	1.17 lbs	5"	3.2"	2.4"	4.09"	.35"	1/4"
DAS 25	1.39 lbs	5"	3.2"	2.4"	4.09"	.35"	1/4"
DAS 30	2.49 lbs	6.3"	4"	3.2"	5.12"	.43"	3/8"
DAS 36	2.95 lbs	6.3"	4"	3.2"	5.12"	.43"	3/8"