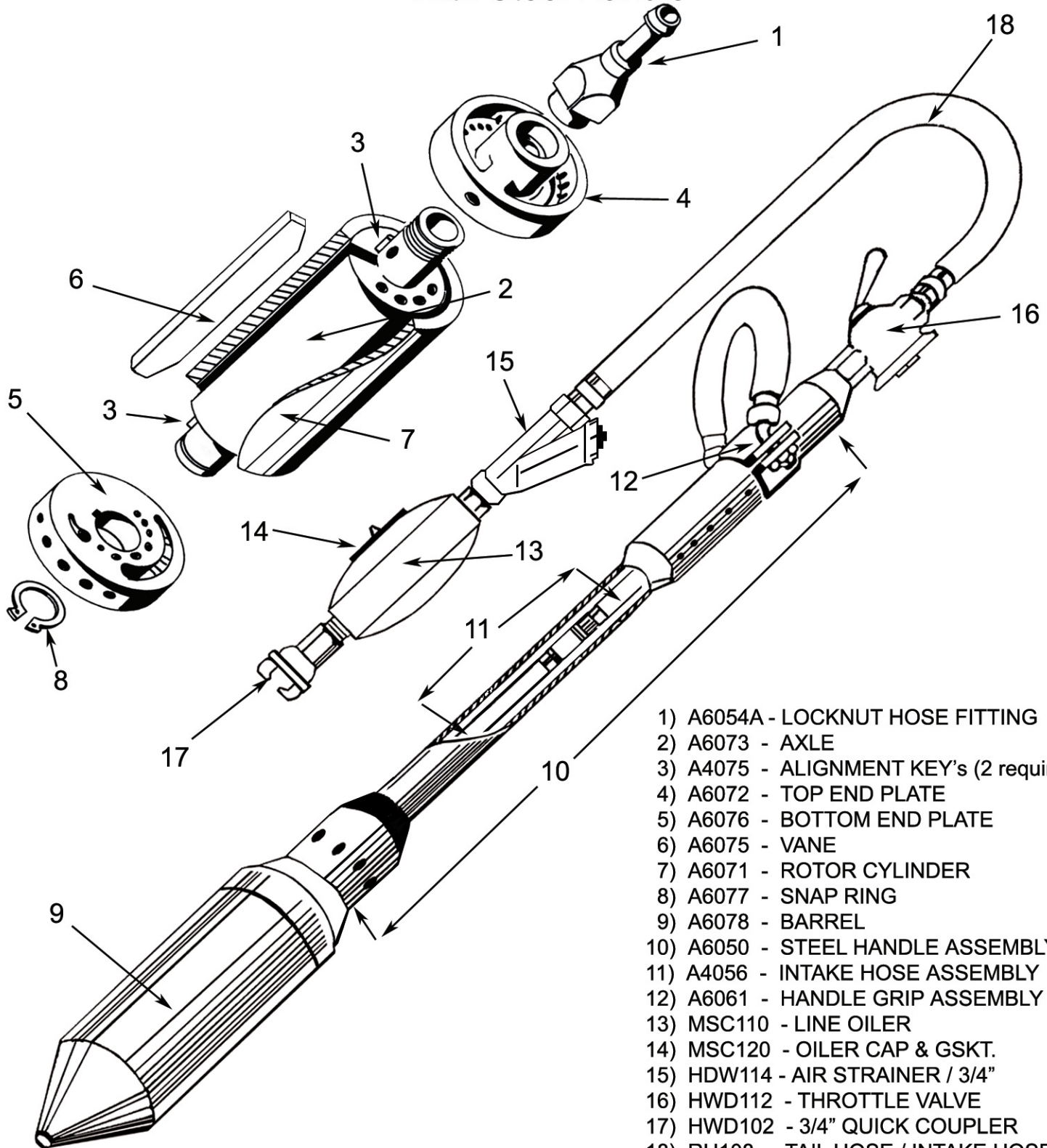


# Denver Vibrator

## A600S / 6 inch Pneumatic Concrete Vibrator

With Steel Handle



- 1) A6054A - LOCKNUT HOSE FITTING
- 2) A6073 - AXLE
- 3) A4075 - ALIGNMENT KEY'S (2 required)
- 4) A6072 - TOP END PLATE
- 5) A6076 - BOTTOM END PLATE
- 6) A6075 - VANE
- 7) A6071 - ROTOR CYLINDER
- 8) A6077 - SNAP RING
- 9) A6078 - BARREL
- 10) A6050 - STEEL HANDLE ASSEMBLY
- 11) A4056 - INTAKE HOSE ASSEMBLY
- 12) A6061 - HANDLE GRIP ASSEMBLY
- 13) MSC110 - LINE OILER
- 14) MSC120 - OILER CAP & GSKT.
- 15) HDW114 - AIR STRAINER / 3/4"
- 16) HWD112 - THROTTLE VALVE
- 17) HWD102 - 3/4" QUICK COUPLER
- 18) RH108 - TAIL HOSE / INTAKE HOSE 3/4"