

Denver Vibrator

AC Electric Vibrators

- ◆ Durable - All Models are Rated for Continuous Duty at Maximum Force
- ◆ Selection - Units Available in 900, 1200, 1800 and 3600 rpm
- ◆ Efficient - Lower Operating Cost Than Air or Hydraulic
- ◆ Quiet - Only Sound is the Hum of the Electric Motor
- ◆ Versatile - Eccentric Weights Adjust from 0 to 100 Percent of Maximum Force



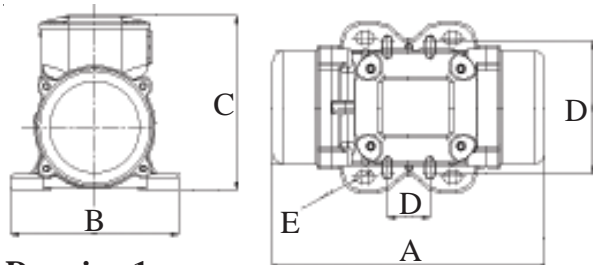
- ◆ Sealed - Protected Against Moisture and Dust
- ◆ Voltages - 115, 230 and 460 Volts
- ◆ UL Certified

2-Pole / Single Phase

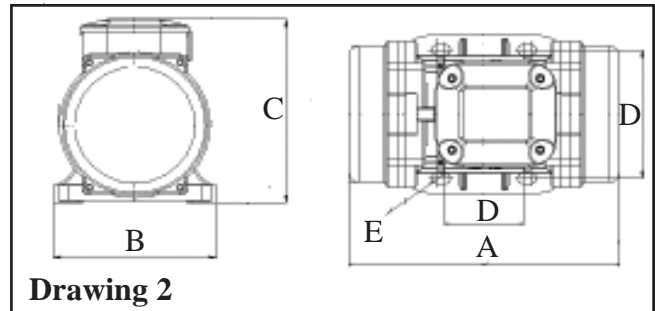
Technical Data		Electrical				Performance		
Model	Voltage	Amps	KW	HP	RPM	Max Force (lbs)	Weight (lbs)	
DVAC-50-2M	115	0.23	0.04		3300	60	4	
DVAC-220-2M	115	1.30	0.10	0.13	3450	220	10	
DVAC-690-2M	115	3.48	0.27	0.36	3450	650	22	

2-Pole / 3-Phase

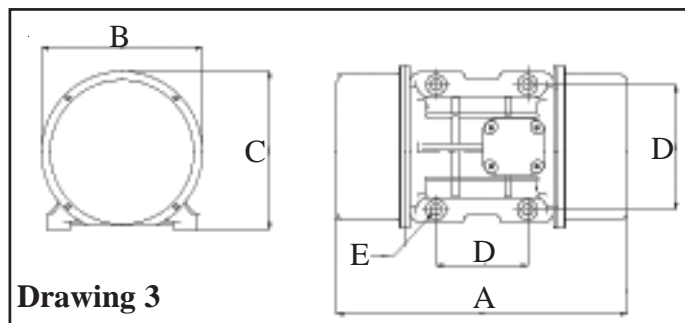
Technical Data		Electrical				Performance		
Model	Voltage	Amps	KW	HP	RPM	Max Force (lbs)	Weight (lbs)	
DVAC-220-2	230/460	0.36 / 0.18	0.10	0.13	3450	220	10	
DVAC-440-2	230/460	0.70 / 0.35	0.18	0.24	3450	380	15	
DVAC-690-2	230/460	0.90 / 0.45	0.27	0.36	3450	650	22	
DVAC-1200-2	230/460	1.94 / 0.94	0.50	0.67	3450	1075	35	
DVAC-1700-2	230/460	2.48 / 1.24	0.66	0.89	3450	1550	36	
DVAC-2300-2	230/460	3.90 / 1.95	0.95	1.27	3450	2050	48	
DVAC-3100-2	230/460	4.50 / 2.25	1.30	1.74	3450	3000	49	
DVAC-4100-2	230/460	6.84 / 3.42	2.00	2.68	3450	4000	116	
DVAC-5100-2	230/460	7.88 / 3.94	2.40	3.22	3450	5000	148	
DVAC-7600-2	230/460	9.22 / 4.61	2.90	3.89	3450	7500	212	



Drawing 1



Drawing 2



Drawing 3

Dimensions		Drawing	A	B	C	D	E
Model	Number	Length	Width	Height	Outer Bolt Center	Bolt Hole	
DVAC-220	1	8.3"	5.1"	5.4"	2.44" - 2.91" x 4.17	0.28"	
DVAC-440	2	8.5"	5.1"	6.2"	2.44" - 2.91" x 4.17	0.35"	
DVAC-690	3	10.2"	6.1"	7.0"	3.15" x 4.33"	0.43"	
DVAC-1200	3	13.3"	6.6"	6.6"	4.13" x 5.51"	0.51"	
DVAC-1700	3	13.3"	6.6"	8.3"	4.13" x 5.51"	0.51"	
DVAC-2300	3	15.6"	8.2"	8.3"	4.72" X 6.69"	0.67"	
DVAC-3100	3	15.6"	8.2"	8.3"	4.72" X 6.69"	0.67"	
DVAC-4100	3	17.6"	9"	9.6"	4.72" X 6.69"	0.67"	
DVAC-5100	3	17.6"	9"	9.6"	4.72" X 6.69"	0.67"	
DVAC-7600	3	21.2"	11.8"	12.2"	4.72" X 6.69"	0.67"	