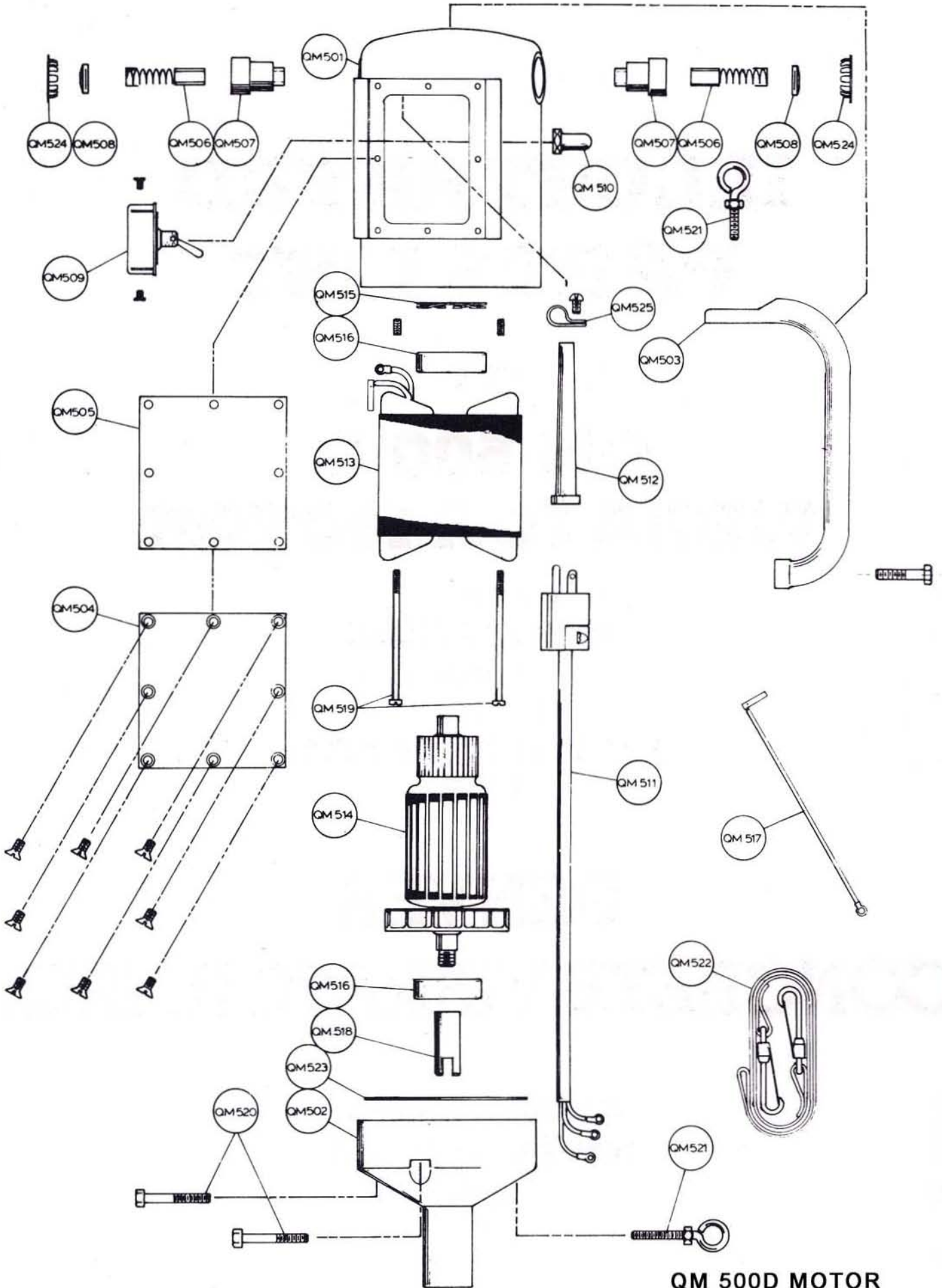


QM 500D MOTOR



QM 500D MOTOR

PARTS LIST

QM 500 D MOTOR

| PART NUMBER | NAME |
|-------------|------------------------------|
| QM 501 | MOTOR HOUSING |
| QM 502 | END BELL |
| QM 503 | HANDLE |
| QM 504 | BASE COVER PLATE WITH SCREWS |
| QM 505 | BASE COVER PLATE GASKET |
| QM 506 | BRUSH |
| QM 507 | BRUSH HOLDER |
| QM 508 | BRUSH HOLDER CAP |
| QM 509 | SWITCH |
| QM 510 | RUBBER SWITCH BOOT |
| QM 511 | CORD ASSEMBLY |
| QM 512 | RUBBER CORD PROTECTOR |
| QM 513 | FIELD |
| QM 514 | ARMATURE |
| QM 515 | THRUST WASHER |
| QM 516 | BEARING (2 REQ.) |
| QM 517 | LEAD TO BRUSH |
| QM 518 | MOTOR DRIVER |
| QM 519 | FIELD COIL BOLTS |
| QM 520 | END BELL BOLTS |
| QM 521 | EYE BOLT WITH NUT |
| QM 522 | CARRYING STRAP |
| QM 523 | VENT BAFFLE |
| QM 524 | BRUSH HOLDER CAP PROTECTOR |
| QM 525 | CORD BINDER |