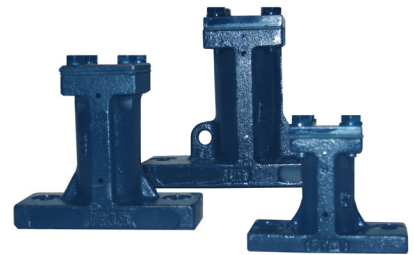


DENVER

VIBRATOR

Piston Vibrators

- ◆ Effective on a Wide Range of Materials
- ◆ Can Be Mounted in Any Position
- ◆ Available With Either an Impacting or Air-Cushioned Style Piston
- ◆ Housings Made of Cast Iron or Aluminum
- ◆ Can Be Operated Continuously or Cycled On and Off
- ◆ FDA Approved Lube-Free Models Available
- ◆ “Timed” Impacting Units Available
- ◆ Brackets are Available for a Wide Range of Applications
- ◆ Use Less Air than Most Rotary Vibrators.



Denver Concrete Vibrator 1463 W. Alameda Ave. Denver, CO 80223 USA

Toll Free: 800.392.6703 Tel: 303.778.8832 Fax: 303.778.8682

Web Site: www.denverconcretevibrator.com Email: info@denverconcretevibrator.com

Piston Vibrator Performance Data

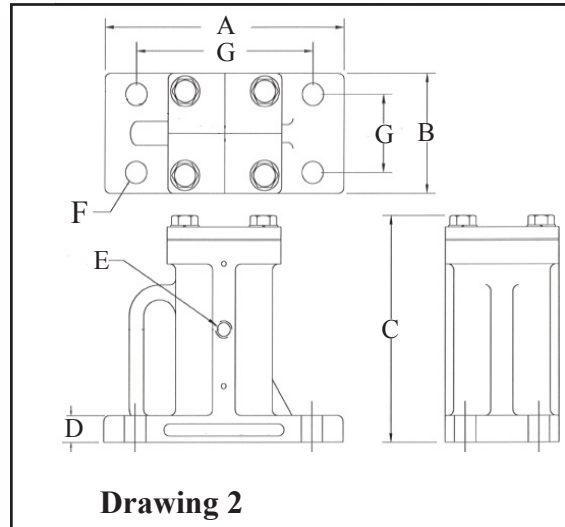
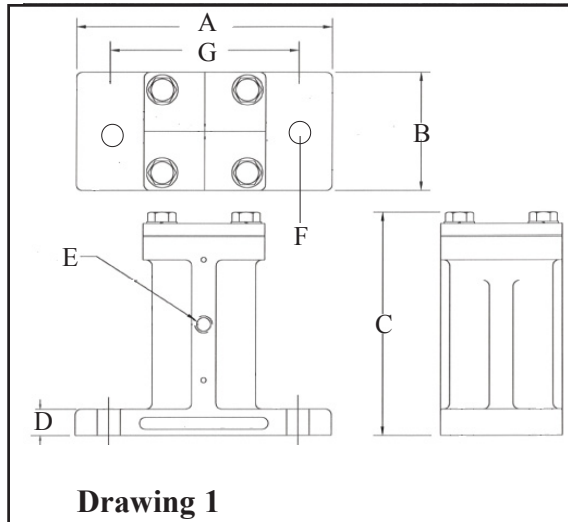
Model	All Data Measured at 50 PSI		
	Air Usage S.C.F.M.	Frequency V.P.M	Sound dbA
Impacting Style			
DBH-1 I	3.3	7250	87
DBH-1.25 I	4.2	5250	91
DBH-1.5 I	7.5	5100	102
DBH-2 I	8.3	4750	106
DBH-3 I	11.6	3400	96
DBH-3L I	14	3000	94
DBH-4 I	18.2	2750	110
Silent Style			
DBH-1 S	3	3600	75
DBH-1.25 S	4	3150	71
DBH-1.5 S	7.2	2200	67
DBH-2 S	8	2100	73
DBH-3 S	11.6	1800	76
DBH-3L S	14	1450	82
DBH-4 S	18.2	1400	83
Railcar Style			
DRR-3 S	11.6	1800	
DRR-3L S	14	1450	
DRR-4 S	18.2	1400	

Piston Vibrator Sizing Chart.

Model Vibrator	Hopper Capacity	Bin Wall Thickness
DBH-1	0-3 ft ³	1/16"-1/8"
DBH-1.25	3-7 ft ³	1/16"-1/8"
DBH-1.5	7-20 ft ³	3/16"-1/4"
DBH-2	20-50 ft ³	3/16"-1/4"
DBH-3	5-20 ton	1/4"-3/8"
DBH-3L	20-50 ton	1/4"-3/8"
DBH-4	50-100 ton	3/8"-1/2"

Ideal for:

- Bins and hoppers containing damp material, large aggregates, dry powdery material, etc...
- Dumptrucks and spreaders
- Railcar unloading
- Applications where air supply is limited
- Matchplates, shakeout molds



Piston Vibrator Dimensional Data

Vibrator Model	Drawing Number	A Length	B Width	C Height	D Web	E Inlet (NPT)	F Bolt Hole	G Bolt Centers	Weight (Lbs)
DBH-1	1	4-1/2"	2"	3-3/4"	1/2"	1/4"	1/2"	3-1/2"	3
DBH-1.25	1	6"	2-1/2"	5-5/8"	3/4"	1/4"	1/2"	4-1/2"	8
DBH-1.5	1	9"	3-1/4"	7-1/4"	1"	1/4"	5/8"	7-1/2"	18
DBH-2	1	9"	3-1/4"	7-1/4"	1"	1/4"	5/8"	7-1/2"	20
DBH-3	2	10-1/2"	5"	9-1/2"	1-1/8"	3/8"	7/8"	7-3/4" x 3-1/4"	50
DBH-3L	2	10-1/2"	5"	12"	1-1/2"	3/8"	7/8"	7-3/4" x 3-1/4"	64
DBH-4	2	14-1/2"	6-1/2"	11-3/4"	1-1/4"	1/2"	1"	12" x 4"	105